

TECHNICAL INFORMATION

APPLICATION	Airflow direction	Horizontal
	Airflow type	Radial/supply, exhaust
CONSTRUCTION	Shape	Round
	Volume control	Damper, pressure measurement possible
	Spigot sizes	125 mm
	Installation depth	62 mm
	Height	25 mm
MATERIAL	Standard material	PP, powdercoated aluminium
	Standard finishing	RAL9003
	Product finishing options	RAL9010, RAL9016, RAL7015, wood veneer, anodic gold, primer
MOUNTING	Mounting options	Mounting springs, mounting bracket

QUICK SELECTION

RLV SUPPLY (DAMPER 22 mm)

Qv [m³/h]	L _w		
	25 dB(A)	30 dB(A)	35 dB(A)
125	86 m³/h	104 m³/h	125 m³/h

RLV EXHAUST (DAMPER 22 mm)

Qv [m³/h]	L _w		
	25 dB(A)	30 dB(A)	35 dB(A)
125	86 m³/h	102 m³/h	121 m³/h

RLV RESIDENTIAL VALVE

Variations [RLV A](#) [RLV B](#)



The residential valve RLV is suitable for the supply and exhaust of cooled and heated air. It can be mounted in both wall and ceiling where aesthetics are important. Several geometries and colours of the aluminium front plate are possible. Quick and easy mounting by spring mechanism or mounting ring, to be fixed on both flexible and rigid ductwork. Provided with double lip seal (airtightness class D according to EN 15727). Easy adjustment of volume damper. Default finish RAL 9003, textured paint.

Exceptional air technical performances

Extremely low noise level

Clean architectural finish



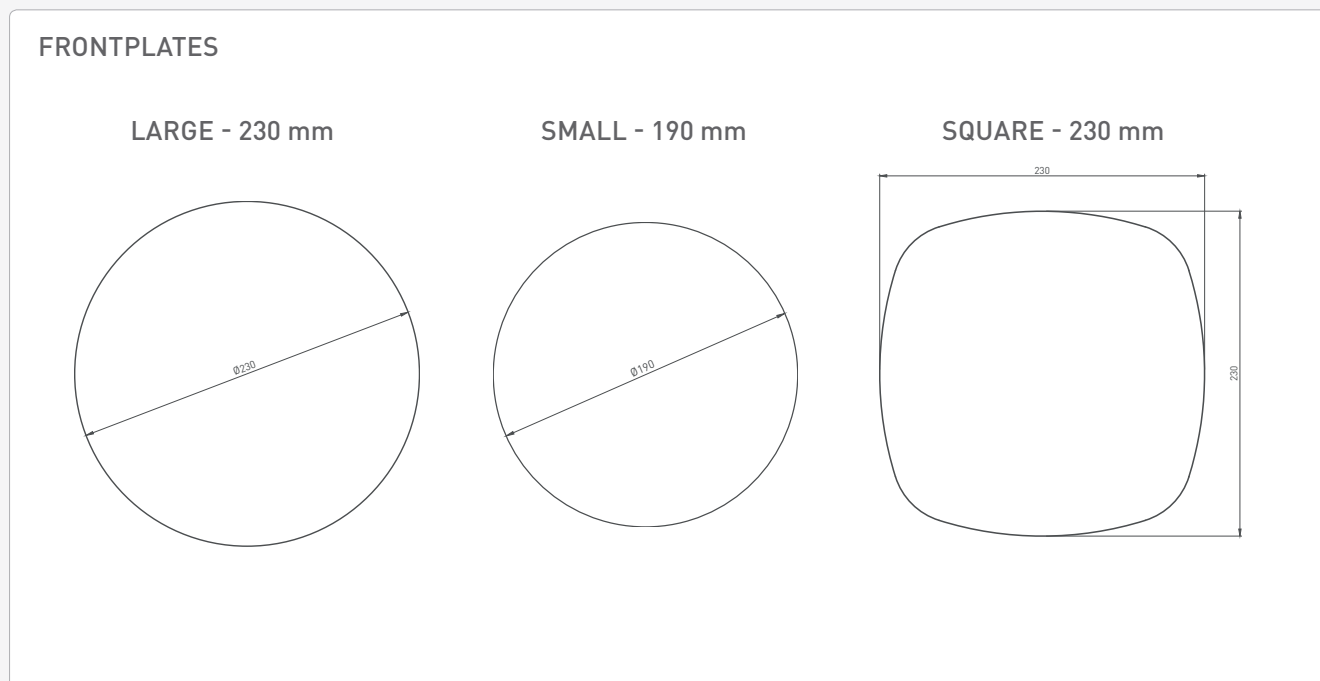
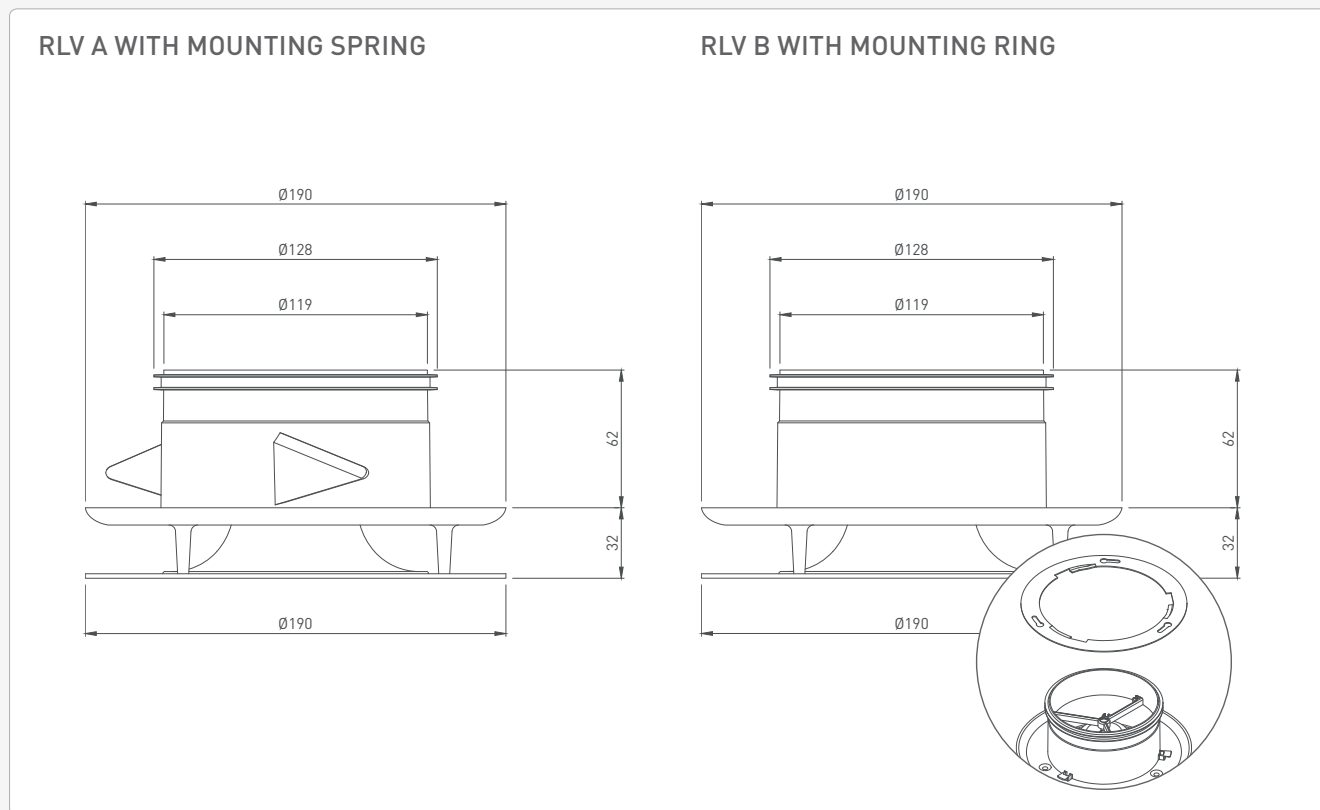
REFERENCES



RESIDENTIAL VALVE

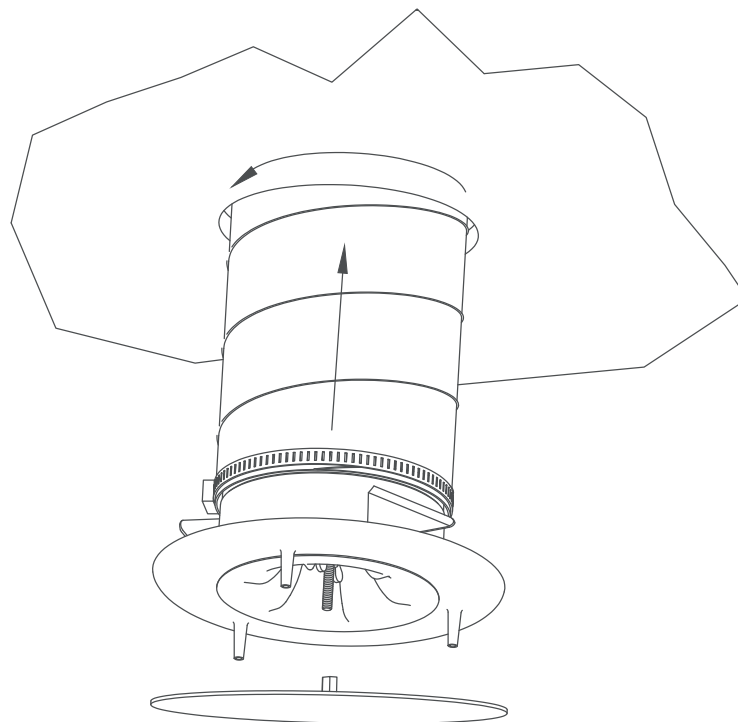
RLV A RLV B

DRAWING

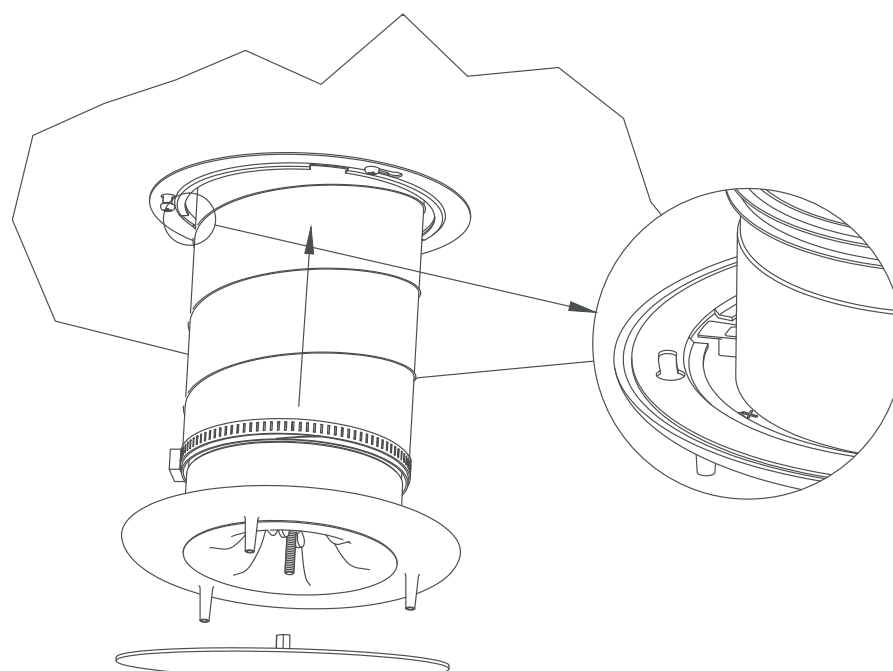


MOUNTING INSTRUCTIONS

RLV A



RLV B

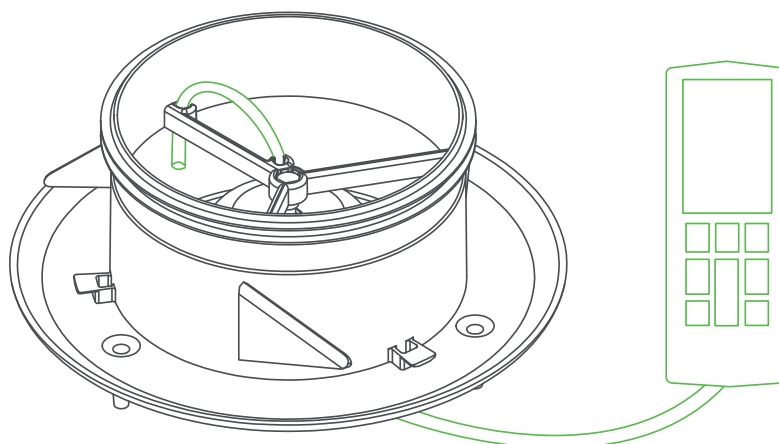


RESIDENTIAL VALVE

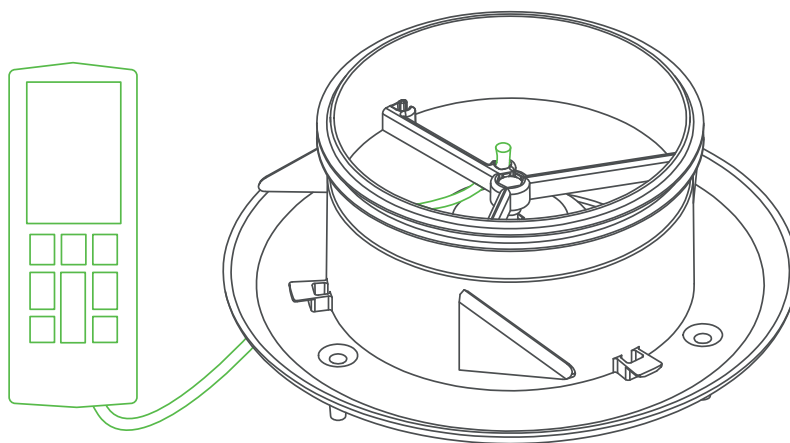
RLV A RLV B

MOUNTING INSTRUCTIONS

RLV A



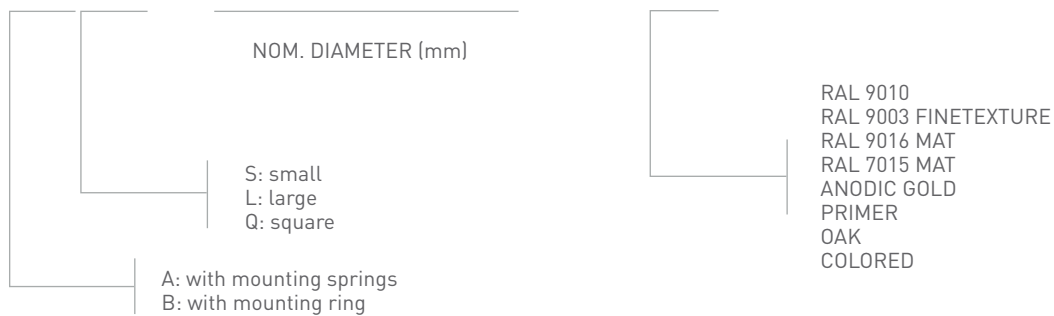
RLV B



ORDER CODE

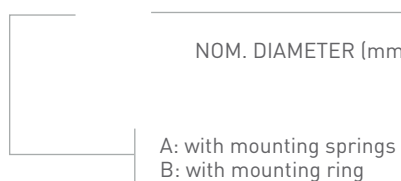
BASE + FRONTPLATE

RLV	A	S	0 1 2 5				RAL9010
-----	---	---	---------	--	--	--	---------



BASE

RLV	A	0 1 2 5			
-----	---	---------	--	--	--



FRONTPLATE ONLY

RLV	S	0 1 2 5				RAL9010
-----	---	---------	--	--	--	---------

