

FUME EXTRACTION



TW/TWG

Robust welding & grinding tables
for all types of work




FUMEX
PURE ADVANTAGE



Robust industrial tables with effective extraction for grinding & welding

FUMEX TW & TWG are industrial welding and grinding tables for handling smoke, dust, and particles during welding and grinding work. They remove harmful substances directly from the operator's breathing zone. The tables connect to a separate fan or existing fan system. With a 1370 x 700 mm worktop and adjustable working height.

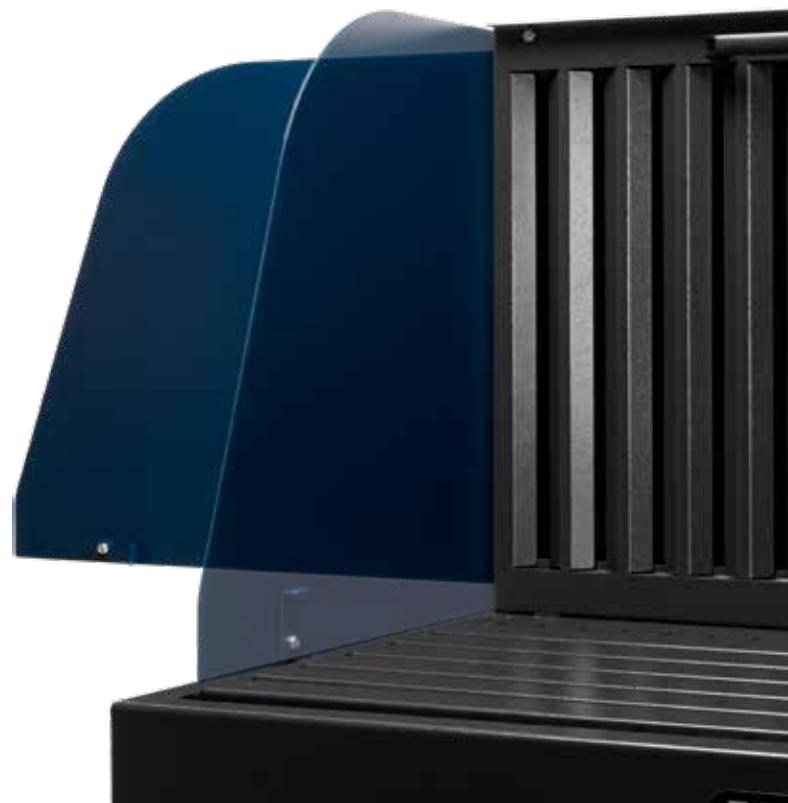


FUMEX TW/TWG
Stable and robust,
for different kinds
of metalwork.

"Opening side panels allow for easy adaptation based on the needs of the workplace."

Two dampers are located on the back panel for easy airflow control and optimisation. Double Ø200 mm pipe connections at the top of the tables ensures a high airflow. One of the short sides is equipped with a welding gun holder.

Spark trap is available as an accessory.



Models



TW

TW is a welding table with opening side panels and a back panel extractor. The worktop is made from bent sheet metal.

Design

- Back panel extractor with two separate dampers
- Robust industrial design
- Double Ø200 mm pipe connections for high airflow
- Adjustable working height
- Opening side panels
- Welding gun holder
- Easy to assemble and install
- Stable worktop for performing work safely



TWG

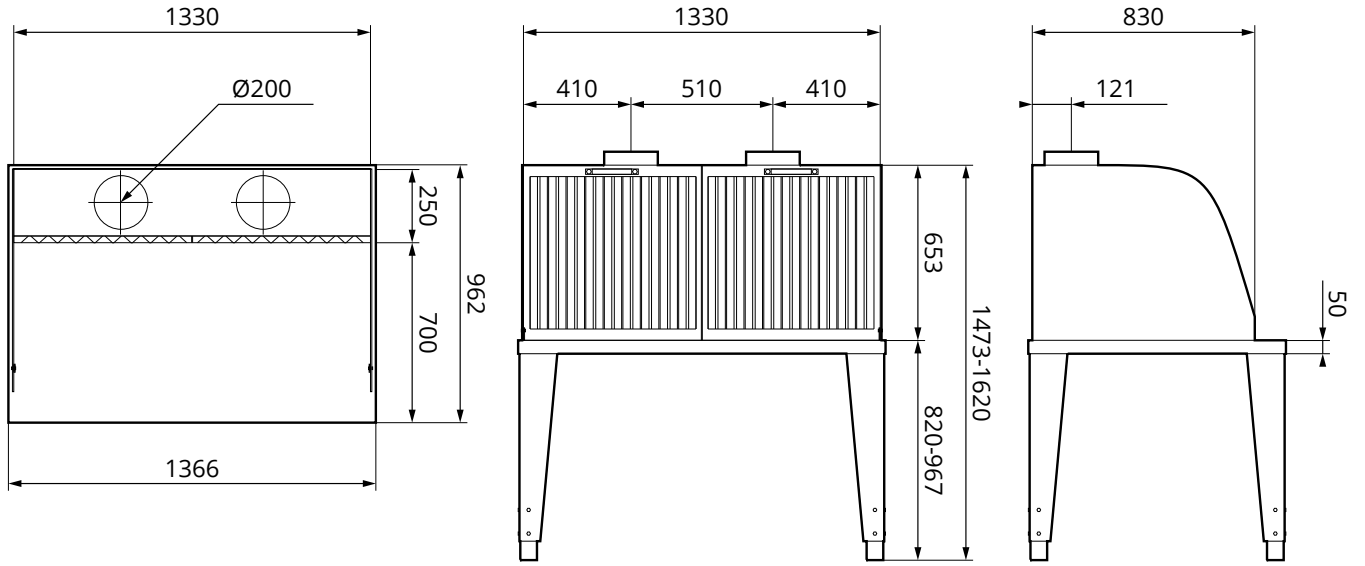
TWG is a welding & grinding table with opening side panels and extractors in both the back panel and worktop. Removable dust trays under the worktop for catching dust. The worktop is not fixed and can easily be lifted out for cleaning.

Design

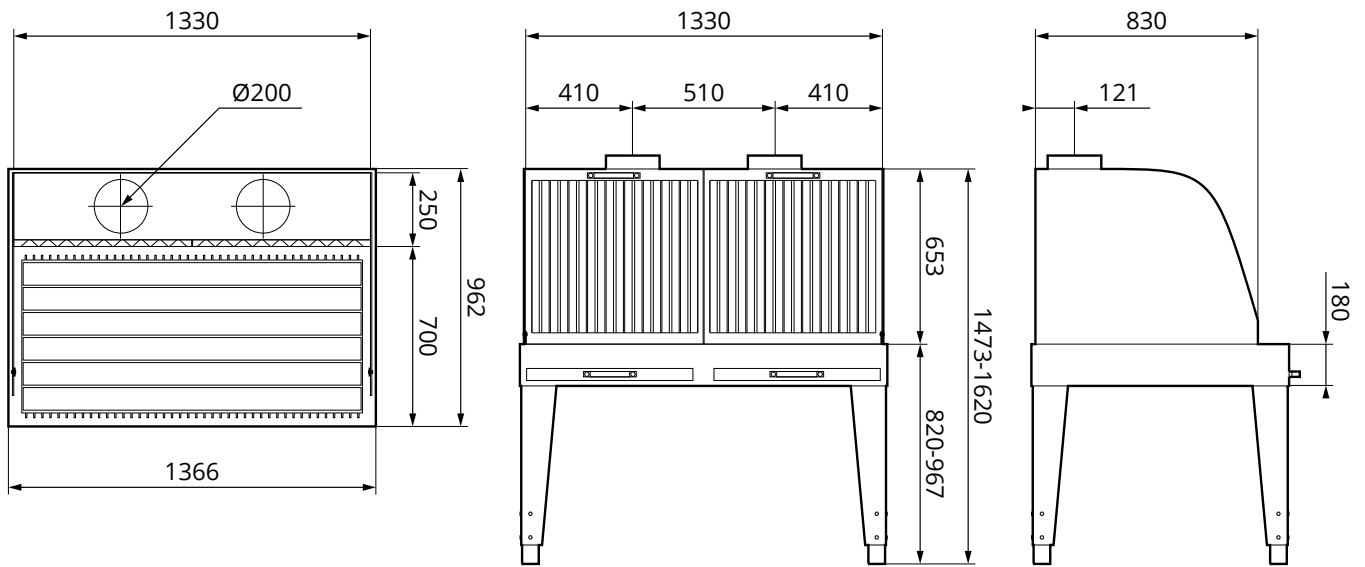
- Back panel extractor with two separate dampers
- Worktop extractor
- Removable dust trays
- Detachable worktop
- Robust industrial design
- Double Ø200 mm pipe connections for high airflow
- Adjustable working height
- Opening side panels
- Welding gun holder
- Easy to assemble and install
- Stable worktop for performing work safely

Dimensional drawings (mm)

TW



TWG



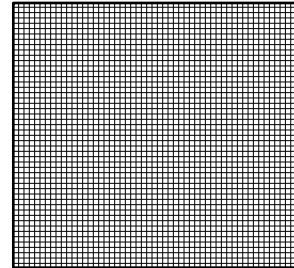
Accessories

TW/TWG

Spark Trap TST (set)

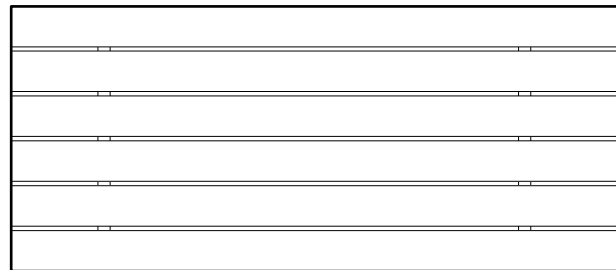
Metal wire filter that protects against large particles and reduces the risk of sparking. For mounting in the back panel. Supplied in a set of 2.

Weight: 5 kg/set



Worktop TWG WOOD

Detached wooden panel for extracting smoke, dust, and other particles.



Specifications

Form of delivery

The table comes semi-assembled for easy installation.

Surface finishing

Steel parts: Electro-galvanised or powder-coated

Max load

TW	TWG
150 kg	150 kg

Technical data

	TW	TWG
Recommended flow:	2000 m ³ /h	3000 m ³ /h
Pressure drop at recommended flow		
• Without spark arrestor:	250 Pa	300 Pa
• With spark arrestor:	350 Pa	450 Pa

Weight

TW	TWG
140 kg	223 kg

FUMEX SUPPLIES EXTRACTION ARMS • VEHICLE EXHAUST EXTRACTION • FANS • FILTERS • CONTROLS • WORKSHOP EQUIPMENT

FUMEX

Verkstadsvägen 2, 93161 Skellefteå, Sweden • Tel.: +46 910-361 80 • Fax: +46 910-130 22 • E-mail: info@fumex.se
www.fumex.com